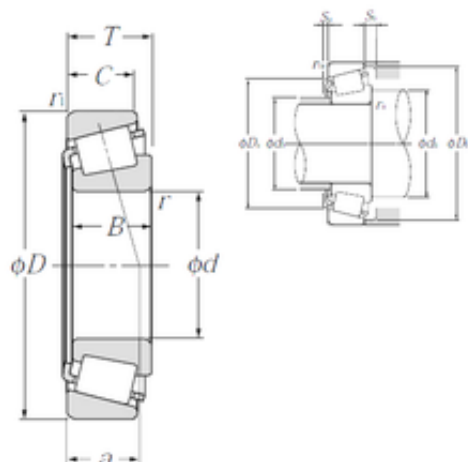




NTN BELEZA- CO.,LTD.



65 mm x 120 mm x 23 mm NTN 4T-30213 Rolamentos de rolos gravados

Bearing No. 4T-30213

Size	65x120x24.75 mm
Bore Diameter	65 mm
Outer Diameter	120 mm
Width	24,75 mm
d	65 mm
D	120 mm
T	24,75 mm
B	23 mm
C	20 mm
ra1 max.	1,5 mm
a	23,5 mm
r min.	2 mm
r1 min.	1,5 mm
da min.	75 mm
Da min	106 mm
Da max.	111,5 mm
db max.	77 mm
Db min.	113 mm
ra max.	2 mm
Sa	4 mm
Sb	4,5 mm
Weight	1,18 Kg
Basic dynamic load rating (C)	123 kN
Basic static load rating (C0)	148 kN
(Grease) Lubrication Speed	3 100 r/min

4T-30213 Bearing 2D drawings and 3D CAD models



NTN BELEZA- CO.,LTD.

(Oil) Lubrication Speed	4 200 r/min
Calculation factor (e)	0,4
Calculation factor (Y0)	0,81
d1	90.5 mm
rs min	2 mm
r1s min	1.5 mm
e	0.4
Y2	1.48
Y0	0.81
Mass	1.18 kg
ISO 355 reference	T3EB065
Dynamic load, C	123 kN
Rating life coefficient, A2	1.4
Static load, C0	148 kN
Fatigue limit load, Cu	18 kN
Nlim (oil)	4,200 rpm
Nlim (grease)	3,100 rpm
Min operating temperature, Tmin	-40 ° C
Max operating temperature, Tmax	120 ° C
Characteristic cage frequency, FTF	0.43 Hz
Characteristic rolling element frequency, BSF	6.36 Hz
Characteristic outer ring frequency, BPF0	8.09 Hz
Characteristic inner ring frequency, BRFI	10.91 Hz
da max	77 mm
db min	75 mm
Da max	111.5 mm
Db min	113 mm
Ca min	4 mm



NTN BELEZA- CO.,LTD.

Cb min	4.5 mm
ra max	2 mm
r1a max	1.5 mm
Category	Roller Bearings
Inventory	1.0
Manufacturer Name	NTN
Minimum Buy Quantity	N/A
Weight / Kilogram	1.163
EAN	4547359002874
Product Group	B04334