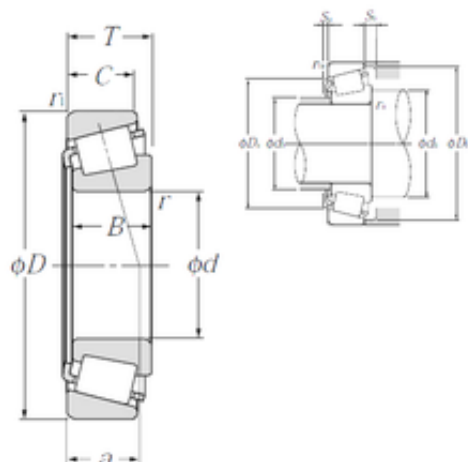




# NTN BELEZA- CO.,LTD.



## 40 mm x 80 mm x 32 mm NTN 4T-33208 Rolamentos de rolos gravados

Bearing No. 4T-33208

Size	40x80x32 mm
Bore Diameter	40 mm
Outer Diameter	80 mm
Width	32 mm
d	40 mm
D	80 mm
T	32 mm
B	32 mm
C	25 mm
ra1 max.	1,5 mm
a	21 mm
r min.	1,5 mm
r1 min.	1,5 mm
da min.	48,5 mm
Da min	67 mm
Da max.	71,5 mm
db max.	47 mm
Db min.	76 mm
ra max.	1,5 mm
Sa	5 mm
Sb	7 mm
Weight	0,728 Kg
Basic dynamic load rating (C)	103 kN
Basic static load rating (C0)	132 kN
(Grease) Lubrication Speed	4 900 r/min

4T-33208 Bearing 2D drawings and 3D CAD models



## NTN BELEZA- CO.,LTD.

(Oil) Lubrication Speed	6 600 r/min
Calculation factor (e)	0,36
Calculation factor (Y0)	0,92
d1	60 mm
rs min	1.5 mm
r1s min	1.5 mm
e	0.36
Y2	1.68
Y0	0.92
Mass	0.73 kg
ISO 355 reference	T2DE040
Dynamic load, C	103 kN
Rating life coefficient, A2	1.4
Static load, C0	132 kN
Fatigue limit load, Cu	16.1 kN
Nlim (oil)	6,600 rpm
Nlim (grease)	4,900 rpm
Min operating temperature, Tmin	-40 ° C
Max operating temperature, Tmax	120 ° C
Characteristic cage frequency, FTF	0.42 Hz
Characteristic rolling element frequency, BSF	5.81 Hz
Characteristic outer ring frequency, BPF0	7.11 Hz
Characteristic inner ring frequency, BRFI	9.89 Hz
da max	47 mm
db min	48.5 mm
Da max	71.5 mm
Db min	76 mm
Ca min	5 mm



## NTN BELEZA- CO.,LTD.

Cb min	7 mm
ra max	1.5 mm
r1a max	1.5 mm
Category	Roller Bearings
Inventory	4.0
Manufacturer Name	NTN
Minimum Buy Quantity	N/A
Weight / Kilogram	0
EAN	4547359530643
Product Group	B04334