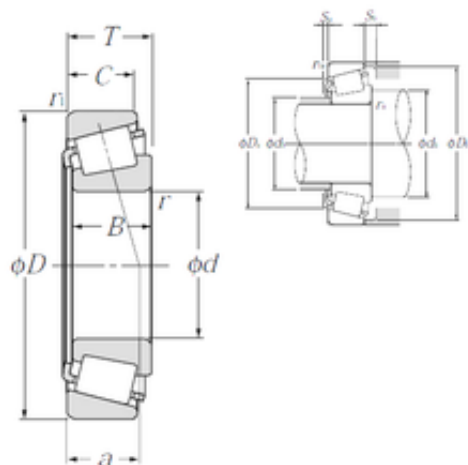




NTN BELEZA- CO.,LTD.



80 mm x 170 mm x 39 mm NTN 30316U Rolamentos de rolos gravados

Bearing No. 30316U

30316U Bearing 2D drawings and 3D CAD models

Size	80x170x42.5 mm
Bore Diameter	80 mm
Outer Diameter	170 mm
Width	42,5 mm
d	80 mm
D	170 mm
T	42,5 mm
B	39 mm
C	33 mm
ra1 max.	2 mm
a	34 mm
r min.	3 mm
r1 min.	2,5 mm
da min.	94 mm
Da min	148 mm
Da max.	158 mm
db max.	102 mm
Db min.	159 mm
ra max.	2,5 mm
Sa	4 mm
Sb	9,5 mm
Weight	4,41 Kg
Basic dynamic load rating (C)	291 kN
Basic static load rating (C0)	350 kN
(Grease) Lubrication Speed	2 300 r/min



NTN BELEZA- CO.,LTD.

(Oil) Lubrication Speed	3 000 r/min
Calculation factor (e)	0,35
Calculation factor (Y0)	0,96
d1	122.5 mm
rs min	3 mm
r1s min	2.5 mm
e	0.35
Y2	1.74
Y0	0.96
Mass	4.41 kg
ISO 355 reference	T2GB080
Dynamic load, C	291 kN
Rating life coefficient, A2	1
Static load, C0	350 kN
Fatigue limit load, Cu	39.6 kN
Nlim (oil)	3,000 rpm
Nlim (grease)	2,300 rpm
Min operating temperature, Tmin	-40 ° C
Max operating temperature, Tmax	120 ° C
Characteristic cage frequency, FTF	0.41 Hz
Characteristic rolling element frequency, BSF	5.27 Hz
Characteristic outer ring frequency, BPF0	6.57 Hz
Characteristic inner ring frequency, BRFI	9.43 Hz
da max	102 mm
db min	94 mm
Da max	158 mm
Db min	159 mm
Ca min	4 mm



NTN BELEZA- CO.,LTD.

Cb min	9.5 mm
ra max	2.5 mm
r1a max	2 mm
Category	Bearings
Inventory	0.0
Manufacturer Name	NTN
Minimum Buy Quantity	N/A
Weight / Kilogram	0
EAN	4547359002959
Product Group	B04334